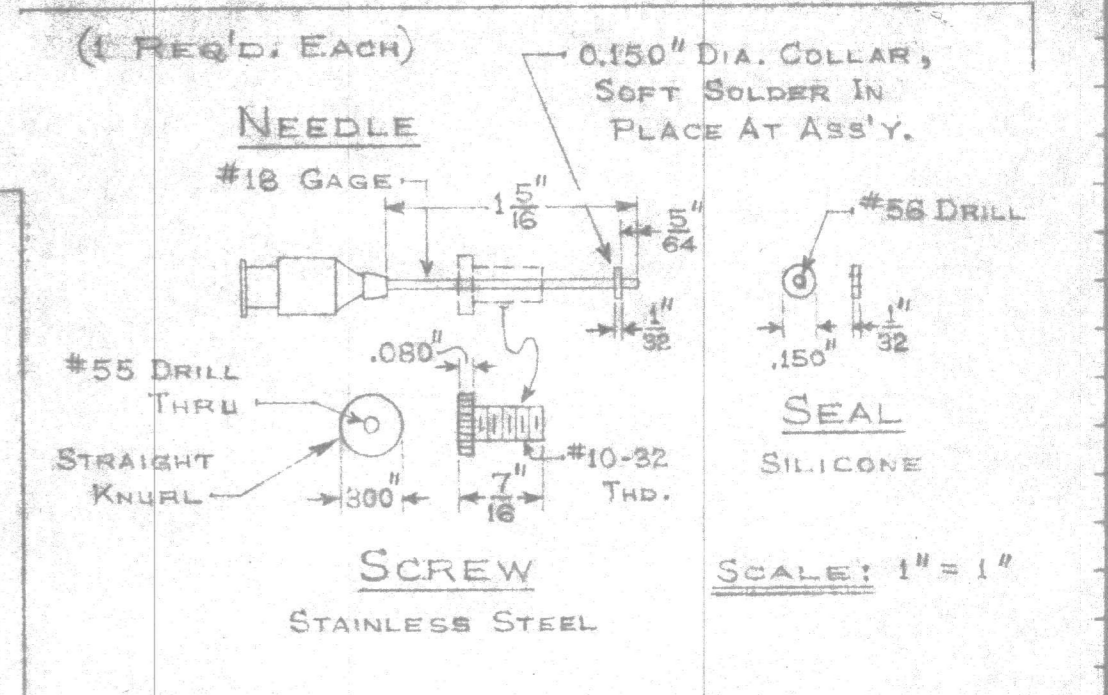
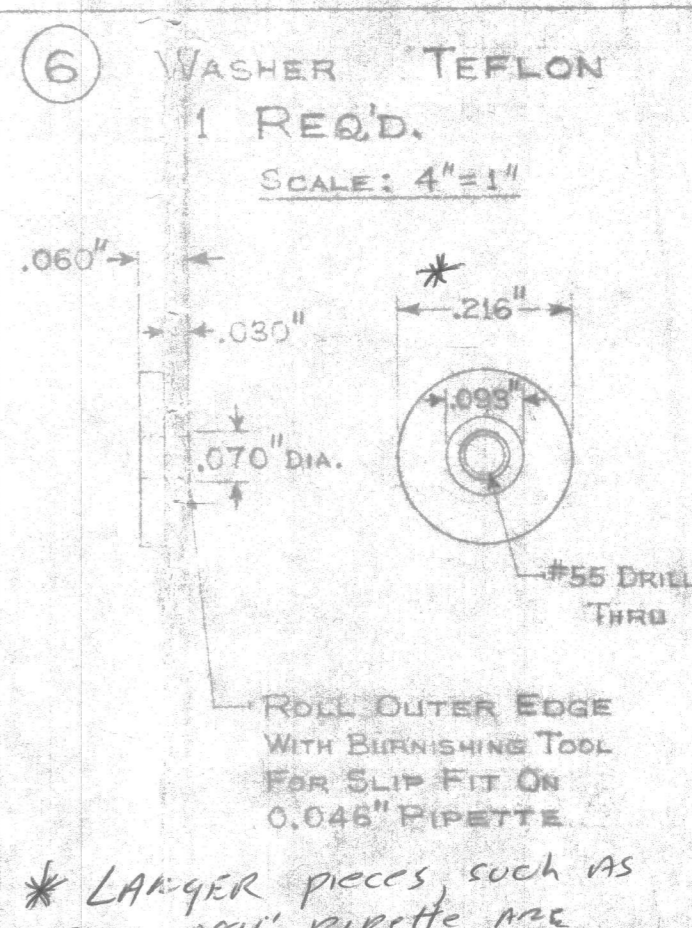
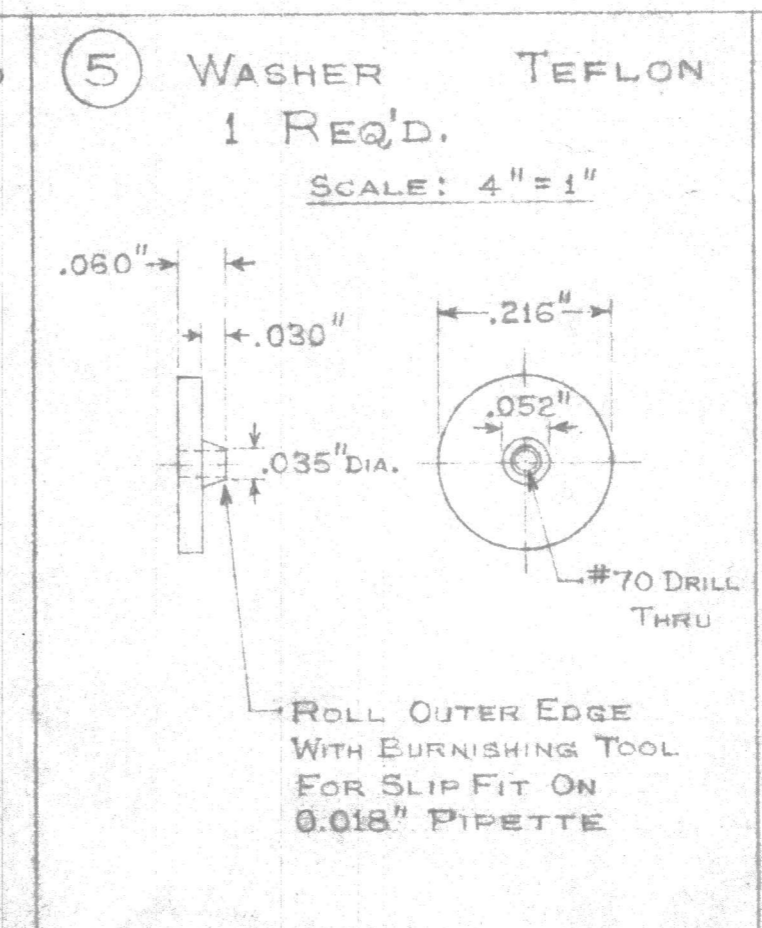
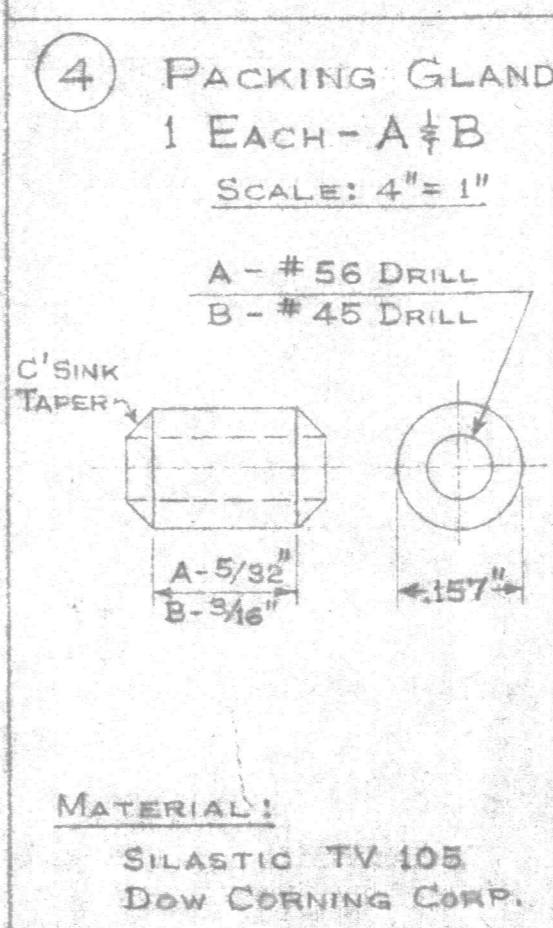
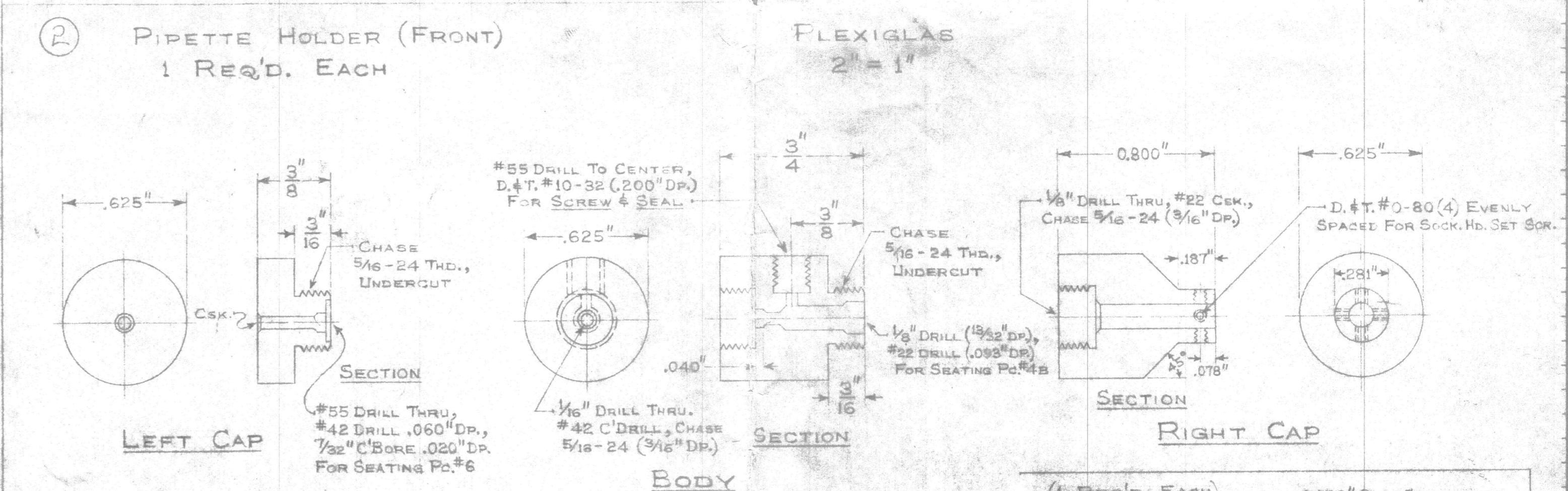
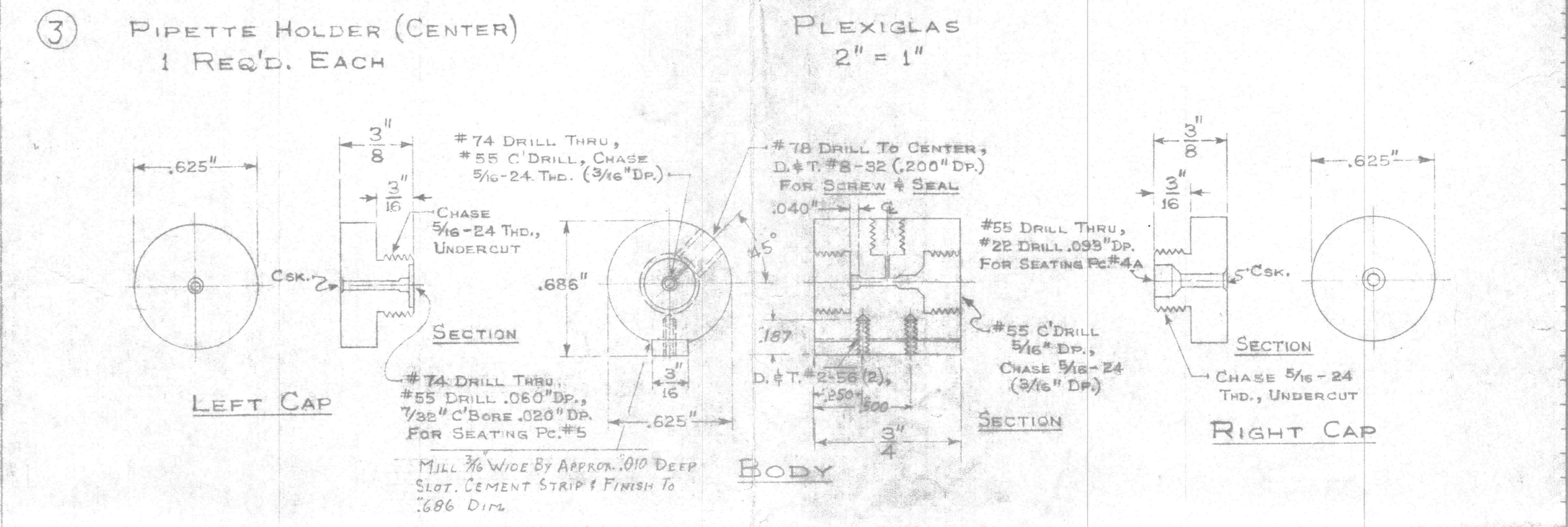
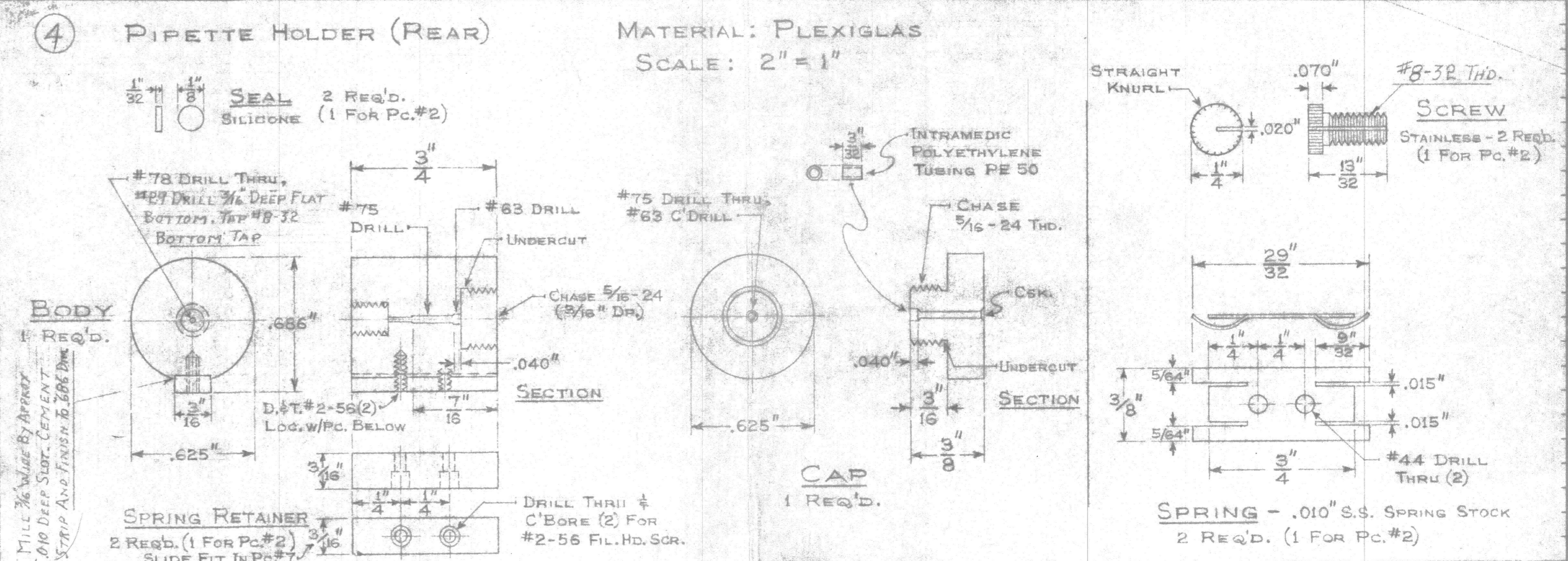
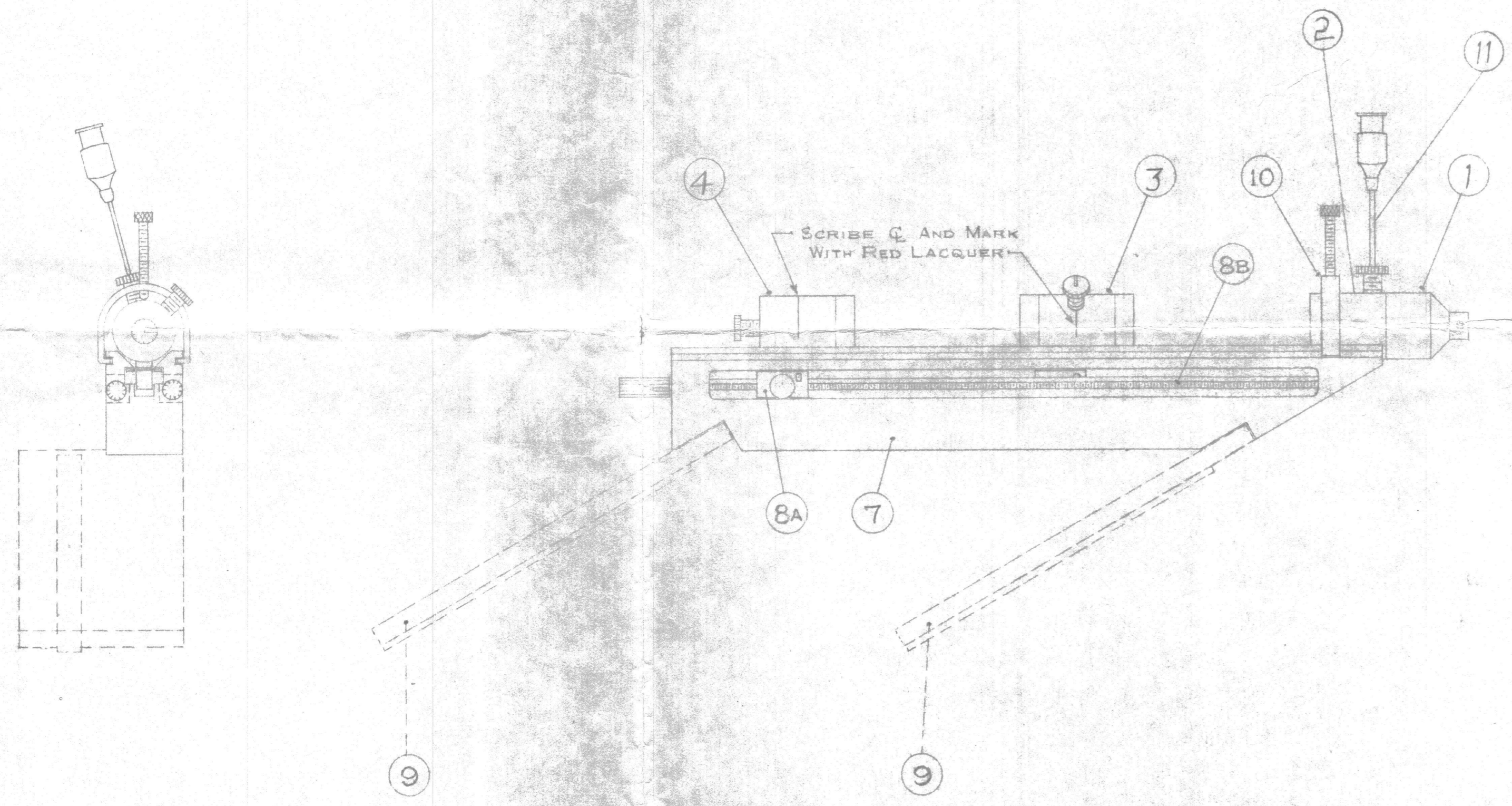


PIPETTE HOLDER ASSEMBLY

SCALE: 1" = 1"



MATERIAL: SILASTIC TV 105 DOW CORNING CORP.

\* LARGER pieces, such as for .084" pipette are .248" - .250" O.D.

REV	DATE	DESCRIPTION

PROC.	ITEM	QTY	DESCRIPTION

INSTRUMENT ENGINEERING AND DEVELOPMENT BRANCH  
NATIONAL INSTITUTES OF HEALTH  
BETHESDA 14, MARYLAND

TITLE: TRIPLE PIPETTE HOLDER & DRIVE  
ASSEMBLY & DETAILS

DESIGNED BY	REQUESTOR	INSTITUTE
DRAWN BY	DR. M. BURG	NH1
APPROVED BY		
SCALE		DRAWING NO.
AS INDICATED		715199-1
CHECKED BY	DATE	SHEETS
		6 SHEETS